

Recirculation Pump for Swimming Pool
Filter Systems

Filtra N

Type Series Booklet



Legal information/Copyright

Type Series Booklet Filtra N

All rights reserved. The contents provided herein must neither be distributed, copied, reproduced, edited or processed for any other purpose, nor otherwise transmitted, published or made available to a third party without the manufacturer's express written consent.

Subject to technical modification without prior notice.

© 27/04/2020

Contents

Domestic Water Supply / Swimming Pools.....	4
Recirculating Pumps for Swimming Pool Filtering Systems.....	4
Filtration N	4
Main applications.....	4
Fluids handled	4
Operating data.....	4
Designation	4
Design details	4
Materials.....	4
Product benefits.....	4
Technical data	5
Characteristic curves.....	5
Dimensions	6
Scope of supply	6
Exploded view and list of components.....	7

Domestic Water Supply / Swimming Pools

Recirculating Pumps for Swimming Pool Filtering Systems

Filtra N



Main applications

- Swimming pools

Fluids handled

- Clear water
- Swimming pool water with 0.4 to 1.4 mg/l free chlorine and max. 0.6 mg/l combined chlorine; pH value 6.9 to 7.7; water hardness TH 10° to 30°
Salt content up to 7 g/l

Not suitable for seawater (35 g/l)

Operating data

Operating properties

Characteristic	Value
Flow rate	Q ≤ 36 m ³ /h (10 l/s)
Head	H ≤ 21 m
Fluid temperature	t ≤ 35 °C
Operating pressure	p _d ≤ 2,5 bar

Designation

Example: Filtra N 6 E

Designation key

Code	Description
Filtra N	Type series
6	Size; rated flow [m ³ /h]

Code	Description
6	6, 8, 12, 14, 18, 22, 24, 30
E	Drive
D	Three-phase motor
E	Single-phase AC motor

Design details

Design

- Single-stage, self-priming centrifugal pump
- Horizontal installation
- Integrated pre-filter consisting of a filter basket with intermediate pipe; the filter can be hinged open in the middle to facilitate cleaning.

Drive

- 230 V single-phase a.c. motor, protected by a temperature switch with automatic reset.
- Three-phase motor 230/400 V
- Surface-cooled
- Enclosure IP 44
- Thermal class F

Shaft seal

- Mechanical seal

Bearings

- Motor runs in grease-lubricated rolling element bearings

Materials

Overview of available materials

Component	Material
Pump casing	Polypropylene, 30 % glass fibre reinforced with stainless steel ring
Diffuser	Polypropylene, glass fibre reinforced (30 %)
Impeller	Noryl GFN2
Cover	PMMA
Shaft	Chrome steel 1.4028
Motor housing	Aluminium
Discharge cover	Polypropylene, glass fibre reinforced (30 %)

Product benefits

- Corrosion-proof thanks to pump casing made of impact-resistant plastic material
- Maintenance-free and reliable due to mechanical seal
- Energy-efficient and low-noise operation of single-phase AC motor with integrated overload protection or three-phase motor
- Low-clogging, hinged filter basket of patented design

Technical data

Single-phase AC motor

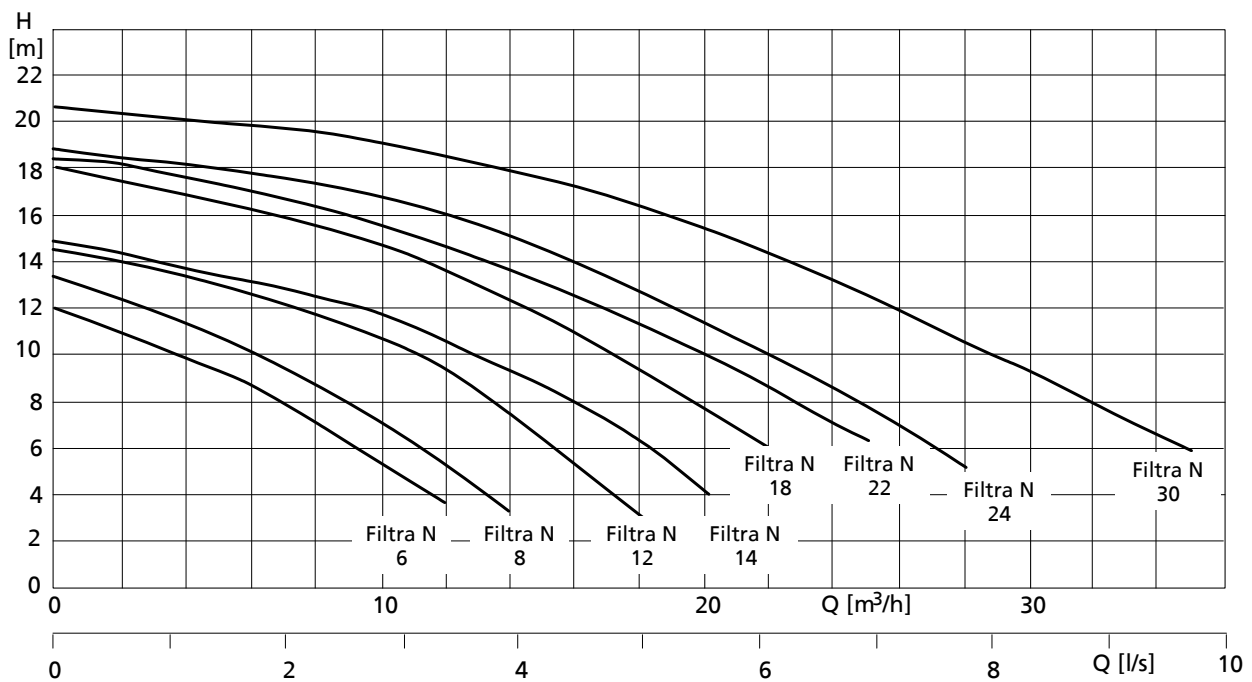
Size	P ₁ [kW]	p ₂	I _N (230 V) [A]	I _N 400 V [A]	Mat. No.	[kg]
6 E	0,65	0,40	3,0	-	39300050	9,2
8 E	0,70	0,40	3,2	-	39300051	9,2
12 E	0,80	0,40	3,6	-	39300052	9,2
14 E	0,95	0,70	4,5	-	39300053	11
18 E	1,15	0,70	5,5	-	39300054	11
22 E	1,50	1,20	7,0	-	39300055	13,3
24 E	1,75	1,20	8,0	-	39300056	13,3

Three-phase motor

Size	P ₁ [kW]	p ₂	I _N (230 V) [A]	I _N 400 V [A]	Mat. No.	[kg]
6 D	0,57	0,40	2,0	1,1	39300057	9,2
8 D	0,60	0,40	2,1	1,2	39300058	9,2
12 D	0,70	0,40	2,3	1,3	39300059	9,2
14 D	0,90	0,70	3,1	1,8	39300060	11
18 D	1,00	0,70	3,5	2,0	39300061	11
22 D	1,40	1,10	5,0	2,9	39300062	13,3
24 D	1,60	1,10	5,5	3,2	39300063	13,3
30 D	2,15	1,50	6,3	3,6	39300064	13,3

Characteristic curves

Filtra N; 6, 8, 12, 14, 18, 22, 24, 30; n = 2800 min⁻¹



Dimensions

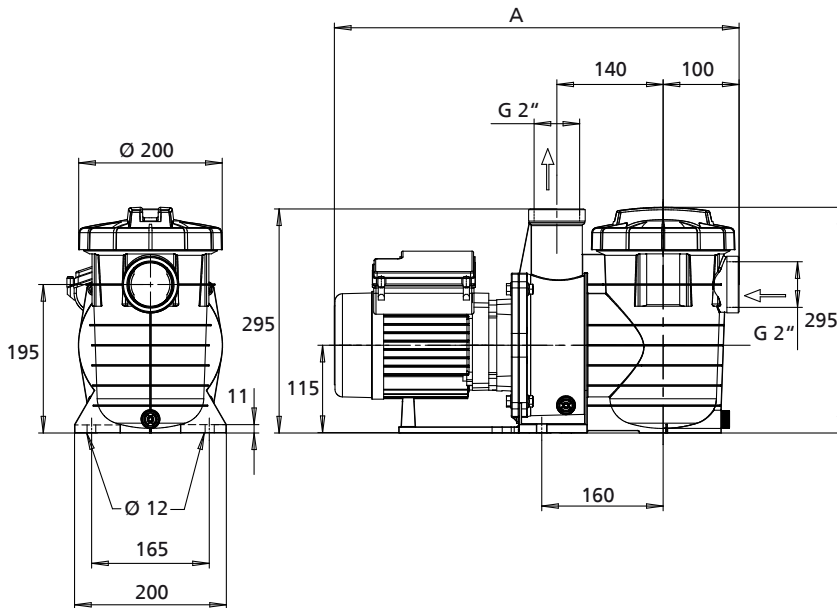


Fig. 1: Dimensions

Dimensions [mm]

Size	A [mm]
6, 8, 10, 12, 14, 18	512,5
22, 24, 30	534

Scope of supply

Depending on the model, the following items are included in the scope of supply:

- Pump set

Accessories

Required accessories can be purchased from our distributors.



KSB SE & Co. KGaA
Johann-Klein-Straße 9 • 67227 Frankenthal (Germany)
Tel. +49 6233 86-0
www.ksb.com