

Multistage Horizontal Centrifugal Pump

## Emporia MB

### Type Series Booklet



## **Legal information/Copyright**

Type Series Booklet Emporia MB

All rights reserved. The contents provided herein must neither be distributed, copied, reproduced, edited or processed for any other purpose, nor otherwise transmitted, published or made available to a third party without the manufacturer's express written consent.

Subject to technical modification without prior notice.

© KSB SE & Co. KGaA, Frankenthal 06/03/2018

---

## Contents

<b>Water Supply</b> .....	<b>4</b>
Water Supply Pumps.....	4
Emporia MB.....	4
Main applications.....	4
Fluids handled.....	4
Operating data.....	4
Designation.....	4
Design details.....	4
Materials.....	4
Product benefits.....	4
Technical data.....	5
Selection charts.....	5
Dimensions.....	6

## Water Supply

### Water Supply Pumps

# Emporia MB



#### Main applications

- Spray irrigation systems
- General irrigation systems
- Water supply systems

#### Fluids handled

- Clean to turbid water not containing aggressive, abrasive or solid substances

#### Operating data

##### Operating properties

Characteristic		Value
Flow rate	Q [m <sup>3</sup> /h]	≤ 15
	Q [l/s]	≤ 4,5
Head	H [m]	≤ 90
Fluid temperature	T [°C]	≥ 0
		≤ +90
Operating pressure	p [bar]	≤ 6 (MB-101)
		≤ 10 (MB-152 - 751)
Connection	Rp	1 - 1 1/2

#### Designation

##### Example: Emporia MB-152 M

##### Designation key

Code	Description	
Emporia MB	Type series	
152	Size	
M	Type of current	
	M	1~230 V
	T2	3~230/400 V
	T3	3~400/690 V

#### Design details

##### Design

- Close-coupled design
- 2 stages

##### Drive

- 1~230 V AC, 50 Hz (up to a motor rating of 1.1 kW)
- DPHMC, 3~230/400 V, 50 Hz
- 3~400/690 V AC, 50 Hz (motor rating 5.5 kW)
- Thermal overload protection
- Thermal class F
- Enclosure IP44

##### Shaft seal

- Mechanical seal

##### Impeller type

- Closed radial impeller

##### Bearings

- Deep groove ball bearings
- Grease-lubricated for life

#### Materials

##### Overview of available materials

Component	Material
Pump casing	Grey cast iron
Shaft	Stainless steel AISI 416 (MB-101)
	Stainless steel AISI 303
Impeller	Brass
Bearing bracket	Grey cast iron
Mechanical seal	Ceramics/graphite

#### Product benefits

- High heads ensured by two impellers in back-to-back arrangement
- Reliable operation due to sturdy design

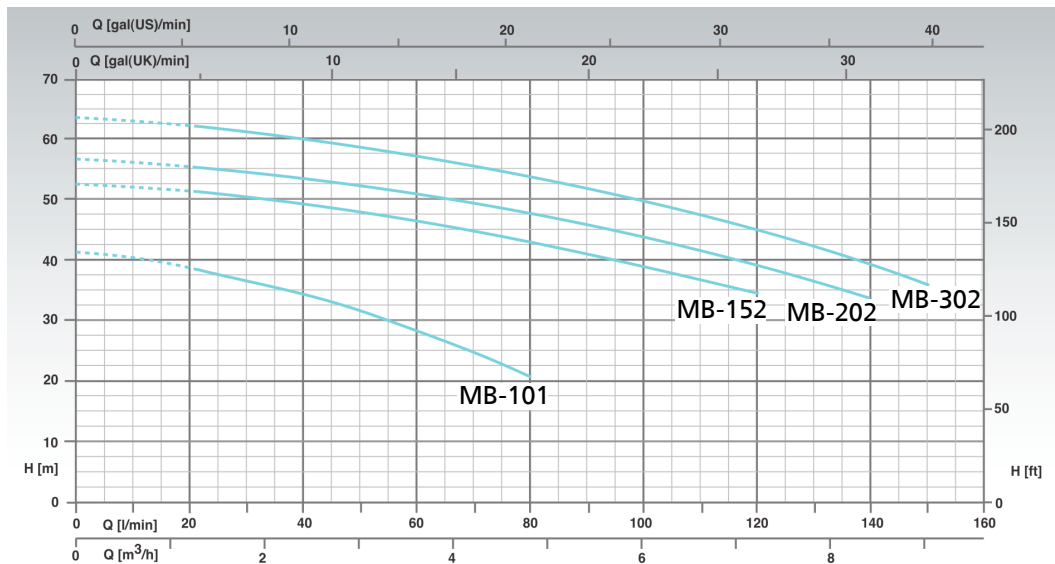
### Technical data

Selection table

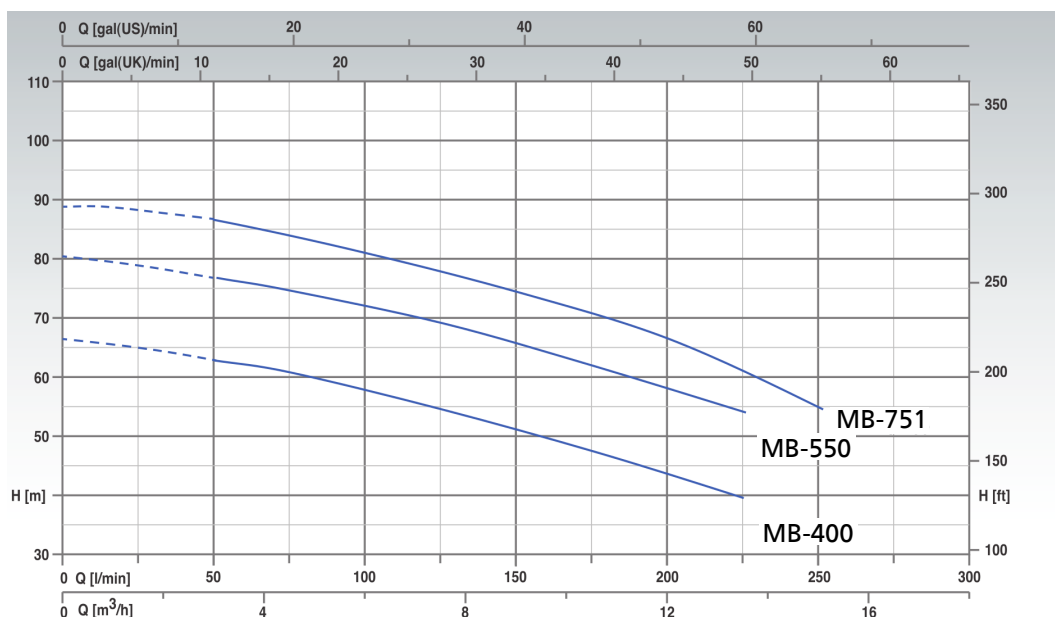
Size	Connection		P <sub>1</sub> [kW]	P <sub>N</sub>		I <sub>N</sub>		Mat. No.	[kg]
	Suction nozzle DN <sub>A</sub>	Discharge nozzle DN <sub>M</sub>		[kW]	[Hp]	1~230 V	3~400 V		
						[A]	[A]		
MB-101 M	G 1	G 1	1,17	0,74	1,00	5,40	-	48224868	15,3
MB-101 T2	G 1	G 1	1,15	0,74	1,00	-	2,40	48224869	15,3
MB-152 M	G 1 1/4	G 1	2,30	1,10	1,50	10,20	-	48224870	24,7
MB-152 T2	G 1 1/4	G 1	2,20	1,10	1,50	-	4,10	48224871	24,7
MB-202 T2	G 1 1/4	G 1	2,60	1,50	2,00	-	4,80	48224872	25,6
MB-302 T2	G 1 1/4	G 1	2,80	2,20	3,00	-	5,20	48224873	25,6
MB-400 T2	G 1 1/2	G 1 1/4	4,80	3,00	4,00	-	7,90	48224874	41
MB-550 T2	G 1 1/2	G 1 1/4	5,65	4,00	5,50	-	9,80	48224875	44,8
MB-751 T2	G 1 1/2	G 1 1/4	6,80	5,50	7,50	-	11,60	48224876	50,5
MB-751 T3	G 1 1/2	G 1 1/4	6,80	5,50	7,50	-	11,60	48224877	50,5

### Selection charts

Emporia MB-101, 152, 202, 302, n = 2900 rpm



Emporia MB-400, 550, 751, n = 2900 rpm



Dimensions

Emporia MB

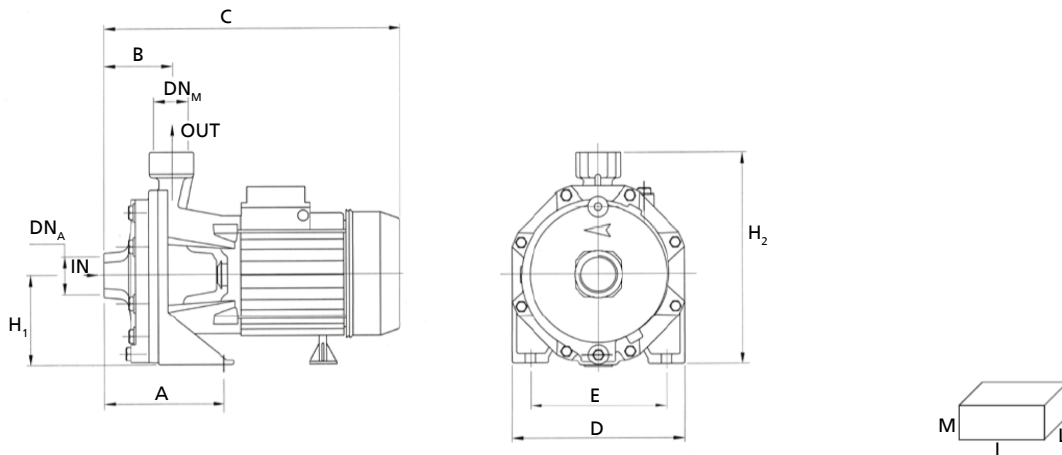


Fig. 1: Emporia MB

Dimensions [mm]

Size	DN <sub>A</sub>	DN <sub>M</sub>	A	B	C	D	E	F	H <sub>1</sub>	H <sub>2</sub>	I	L	M
MB-101	G 1	G 1	122	72	328	180	140	98	228	350	350	195	265
MB-152	G 1 1/4	G 1	115	82	385	210	170	110	265	405	405	225	295
MB-202	G 1 1/4	G 1	115	82	385	210	170	110	265	405	405	225	295
MB-302	G 1 1/4	G 1	115	82	385	210	170	110	265	405	405	225	295
MB-400	G 1 1/2	G 1 1/4	145	95	463	266	212	135	305	500	500	275	350
MB-550	G 1 1/2	G 1 1/4	145	95	463	266	212	135	305	500	500	275	350
MB-751	G 1 1/2	G 1 1/4	145	95	480	266	212	135	305	500	500	275	350





**KSB SE & Co. KGaA**  
Johann-Klein-Straße 9 • 67227 Frankenthal (Germany)  
Tel. +49 6233 86-0  
[www.ksb.com](http://www.ksb.com)